

Challenge of a new threat scenario

In recent years, the way malicious software is spreading (viruses, trojans, spyware, rootkits, etc.) throughout the internet changed tremendously. Nowadays, a standalone desktop security solution is barely able to protect against these fast evolving threats.

Gateway content inspection technology addresses these risks and sustainably hardens perimeter security, which is the first line of defence. **IKARUS security.proxy** integrates a number of protective mechanisms in one application, which go far beyond traditional straightforward web- and mail security functions.

Product Description

IKARUS security.proxy is a content security solution software, ready to be deployed within the internal network as well as on gateway level. It is also available on **SecureGUARD** appliances as All-In-One solution.

One of the most innovative developments is **IKARUS security.proxy** for Microsoft Internet Security & Acceleration (ISA) Server, which transparently combines the **IKARUS** content security solution with Microsoft ISA Server (refer Fig. 1).

Features

- **AntiVirus: IKARUS T3 ScanEngine**
The high performing scanner detects malicious software (viruses, trojans, spyware, rootkits, etc.) and supports streaming, testing of various archiving file formats, and much more...
- **AntiVirus Protection for Web-Protocols: HTTP, FTP over HTTP, FTP**
- **AntiVirus Protection for Mail-Protocols: SMTP, IMAP, POP3, NNTP**
- **AntiSPAM: The IKARUS SPAM-ScanEngine** provides a very high hit rate through applying customized SPAM filter rules.
- **AntiSPAM for Mail-Protocols: SMTP, IMAP, POP3, NNTP**
- **Integrated URL-Filter**
- **Incremental Automatic Update**
Every 10 minutes IKARUS products check for updated versions of virus-, SPAM- and URL filter databases as well as for the application itself (including **IKARUS T3 ScanEngine, SPAM-ScanEngine**).
- **Creation of different administrative Authority Levels**
- **Extensive Logging of all Activities**
- **Pre-installed as All-In-One Solution on SecureGUARD ISA Appliances**

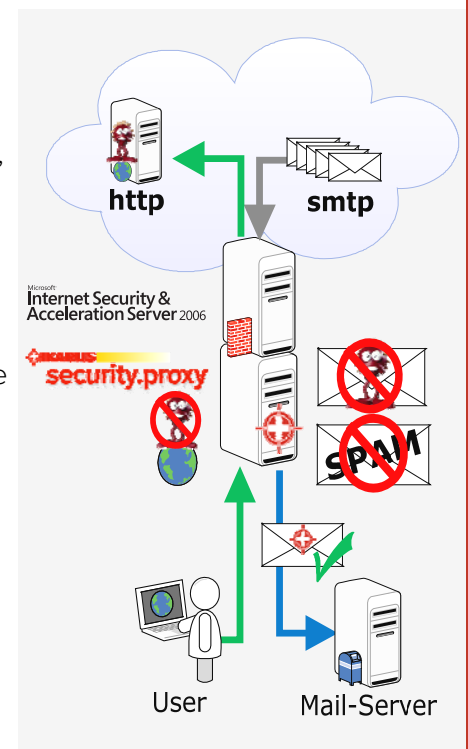


Fig. 1:
IKARUS security.proxy
for MS ISA Server



IKARUS security.proxy

Microsoft Internet Security & Acceleration Server 2006

The recently developed **IKARUS security.proxy** for MS ISA Server features transparent integration of the **IKARUS security.proxy** into an existing MS ISA Server installation.

The connection between **IKARUS security.proxy** and MS ISA Server is achieved via the **IKARUS MS ISA PlugIn**, which consists of an AddOn for the web proxy filter and a unique application filter. (refer Fig. 2)

By activating **IKARUS security.proxy** for Microsoft ISA Server most of the administrative tasks (e.g. Authentication, Access Control, ...) are performed as usual via MS ISA Server, which is a big advantage of this solution.

IKARUS security.proxy utilizes MS ISA Server policy rule names for authentication. The rule names are linked one-to-one to different web access profiles in the **IKARUS** policy.

Creation of such profiles is done with minimal administrative efforts. Therefore all features of the **IKARUS security.proxy** are available within minutes.

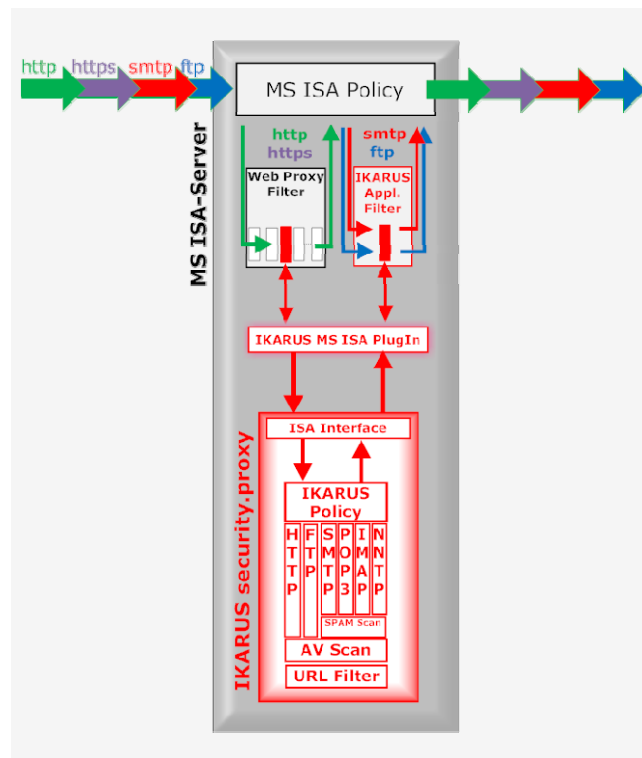


Fig. 2: **IKARUS security.proxy** for MS ISA Server



IKARUS Security Software provides solutions for nearly every requirement with its broad range of security software products. With more than 20 years experience in the area of Antivirus Software Development, **IKARUS** is a competent partner for your business. The product portfolio from **IKARUS Security Software** ranges from classic Client Antivirus Protection (**IKARUS virus.utilities**), to Management Console ISM (**IKARUS security.manager**), Gateway Solutions (**IKARUS security.proxy**) and right up to Managed Security Services (**IKARUS my.mailwall** und **IKARUS web.security**).



In cooperation with **SecureGUARD**, **IKARUS security.proxy** is available together with Microsoft ISA Server 2006 on proven and stable appliance platform from **SecureGUARD** as a pre-configured All-In-One solution. This appliance offers protection from malicious content already at gateway level. Authorisation control, for example grouping, is achieved through communication between ISA Server and **IKARUS security.proxy** – a genuine relief for the administrator, with positive effects on security. The whole solution features high availability and performance by support of multi-processing.